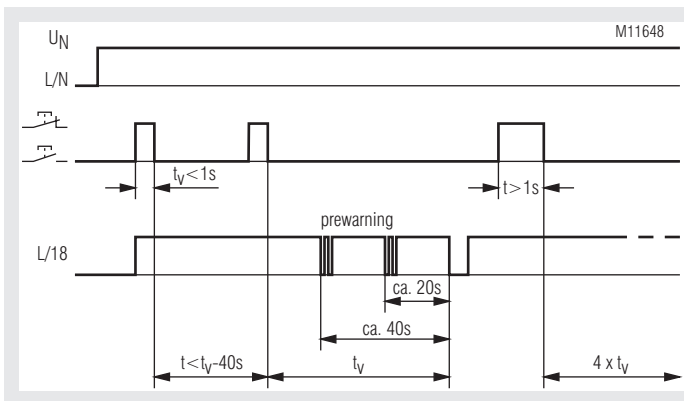


MINITIMER Lighting Time Switch RK 8810/003



- According to EN 60 669-1, EN 60 669-2-1
- Setting range: short pressing of button 0.5 ... 10 min
long pressing of button 2 ... 40 min
- For 4-wire circuit L on push button and
3-wire circuit N on push button
- Can be retriggered
- With pre-warning shortly before end of time delay
- Switch for continuous light on unit
- Contact: 16 A
- Width 17.5 mm

Function Diagram



Approvals and Markings



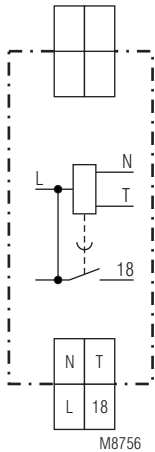
Application

Time delayed switching off for lights

Function

If the button is pressed longer than 1 s the adjusted time will be multiplied by 4, the timing is retriggerable i.e. if the pushbutton is pressed again during timing the adjusted delay time starts again without interruption. Approx. 30 s before end of timing the light flashes shortly to indicate that the light will go off.

Circuit Diagram



M8756

RK 8810.41/003

Notes

Unit and push button have to be connected to the same phase (see connection diagram) The output contact is not volt free.

Maintenance

Inspection test and maintenance intervals are to be performed annually.

Technical Data

Time Circuit

Time range: pressing of button < 1 s: 0.5 ... 10 min
pressing of button > 1 s: 2 ... 40 min

Repeat accuracy: < 1 % of setting value

Input

Nominal voltage U_N : AC 230 V
Voltage range: 0.9 ... 1.1 U_N
Nominal consumption: approx. 5 VA
Nominal frequency: 50 / 60 Hz

Permitted residual current caused by glow lamps in the push buttons
Min. pulse duration:

max. 50 glow lamps à 1 mA
30 ms

Connection Terminals

Terminal designation	Signal designation
L, N	Auxiliary voltage AC
T, L or N	Button
L, 18	Contact output

Technical Data

Output

Contacts:	1 NO contact, delay	
Contact opening gap:	> 3 mm	
Thermal current I_{th}:	16 A	
Switching capacity with lamp load	Fluorescent lamp load	
Duo switching:	(series compensated) 2 x 20 lamps with 58 W each	
Glow lamp load:	2000 W	
Short circuit current strength:	> 700 A	
Short circuit strength max. fuse rating:	16 AgL	IEC/EN 60 947-5-1
Mechanical life:	> 1 x 10 ⁶ switching cycles	

General Data

Nominal operating mode:	impulse operation / continuous operation	
Temperature range	Operation: - 20 ... + 50°C	
Storage:	- 40 ... + 70°C	
Clearance and creepage distances	rated impulse voltage / pollution degree: 4 kV / 2 IEC 60 664-1	
EMC	Electrostatic discharge (ESD): 8 kV (air) IEC/EN 61 000-4-2	
HF irradiation	80 MHz ... 1 GHz: 10 V / m IEC/EN 61 000-4-3	
1 GHz ... 2.7 GHz:	10 V / m IEC/EN 61 000-4-3	
Fast transients:	2 kV IEC/EN 61 000-4-4	
Surge voltages between	wires for power supply: 1 kV IEC/EN 61 000-4-5	
wires for power supply:	between wire and ground: 2 kV IEC/EN 61 000-4-5	
HF wire guided	0.15 ... 80 MHz: 10 V IEC/EN 61 000-4-6	
Interference suppression:	Limit value class B EN 55 011	
Degree of protection:	Housing: IP 40 IEC/EN 60 529	
Terminals:	IP 20 IEC/EN 60 529	
Enclosure:	Thermoplast with V0-behaviour according to UL subj. 94	
Vibration resistance	Amplitude 0,35 mm	
Climate resistance:	frequenzy 10 ... 55 Hz IEC/EN 60 068-2-6	
Terminal designation:	20 / 050 / 04 IEC/EN 60 068-1	
Wire connection:	EN 50 005	
Fixed screw terminals	DIN 46 228-1/-2/-3/-4	
Wire connection:	Cross section: 0.5 ... 10 mm ² (AWG 20 - 8) solid or 0.5 ... 6 mm ² (AWG 20 - 10) stranded wire with and without ferrules	
Stripping length:	10 mm	
Fixing torque:	0.8 Nm EN 60 999-1	
Wire fixing:	Cross-head screw / M3.5 box terminals	
Mounting:	DIN rail IEC/EN 60 715	
Weight:	approx. 80 g	

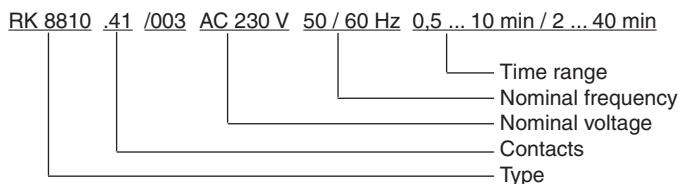
Dimensions

Width x Height x Depth: 17.5 x 90 x 66 mm

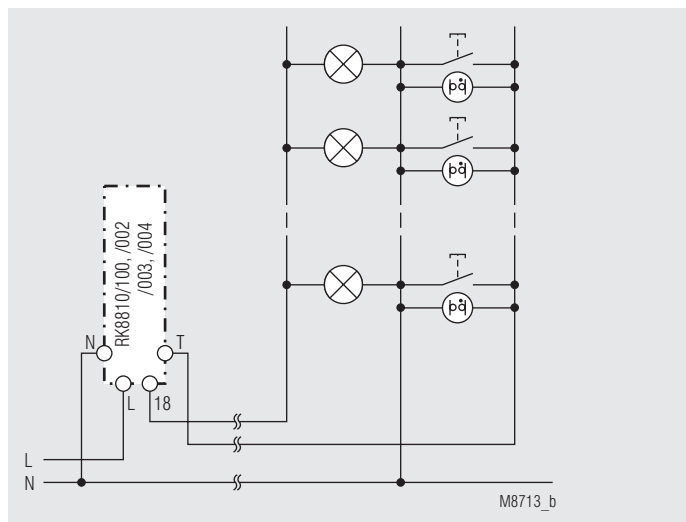
Standard Type

RK 8810.41/003	AC 230 V	50 / 60 Hz	0.5 ... 10 min / 2 ... 40 min
Article number:	0058994		
• Output:	1 NO contact, delay		
• Nominal voltage U_N :	AC 230 V		
• Timer range:	0.5 ... 10 min / 2 ... 40 min		
• Width:	17,5 mm		

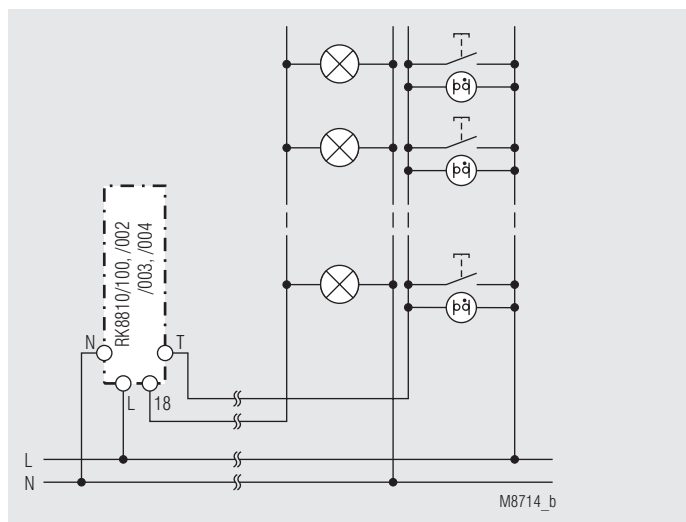
Ordering Example



Application Examples



3-wire circuit N on push button



4-wire circuit L on push button